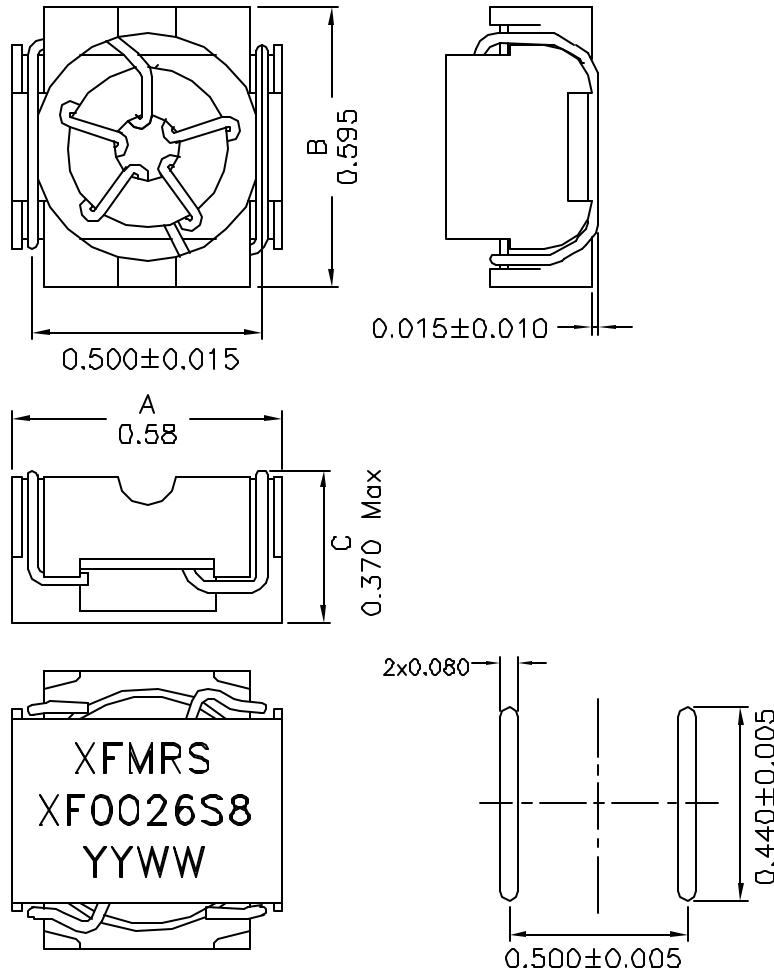
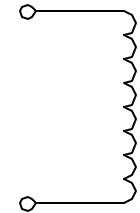


**1. Mechanical:**



Suggested PCB LAYOUT  
DOC. REV A/4

**2. Schematic:**



**3. Electrical Specifications: @25°C**

DC Resistance: 6.0 mohms Maximum  
 OCL: 2.5uH±20% @1KHz 1.0V  
 OCL: 1.32uH Min @1KHz 1.0V 11.5ADC

**Notes:**

1. Solderability: Leads shall meet MIL-STD-202G, Method 208H for solderability.
2. Flammability: UL94V-0
3. ASTM oxygen index > 28%
4. Insulation System: Class F 155°C. UL file E151558
5. Operating Temperature Range: All listed parameters are to be within tolerance from -40°C to +85°C
6. Storage Temperature Range: -55°C to +125°C
7. Aqueous wash compatible
8. SMD Lead Coplanarity: ±0.004"(0.102mm)
9. Moisture Sensitivity: Level 3
10. Electrical and mechanical specifications 100% tested
11. RoHS Compliant Component

<b>XFMRS INC</b> www.XFMRS.com	Title: Surface Mount Inductor		
	UNLESS OTHERWISE SPECIFIED TOLERANCES: .xx ±0.025 Dimensions in inch		P/N: XF0026S8
SHEET 1 OF 1	DWN.	廖玉坤	Jan-12-06
	CHK.	李清儿	Jan-12-06
	APP.	BW	Jan-12-06