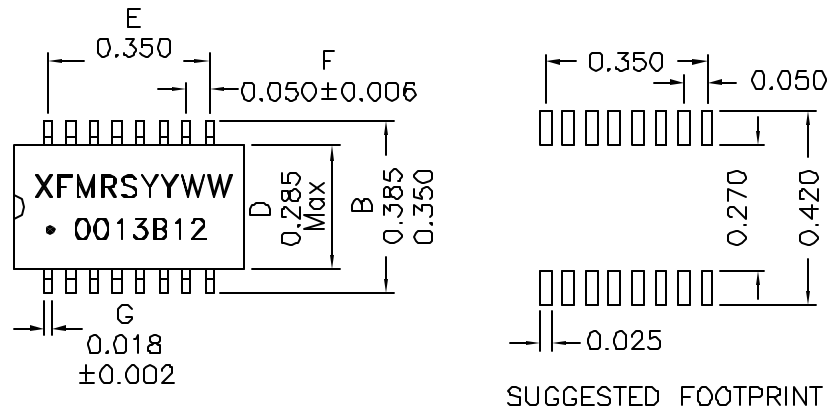
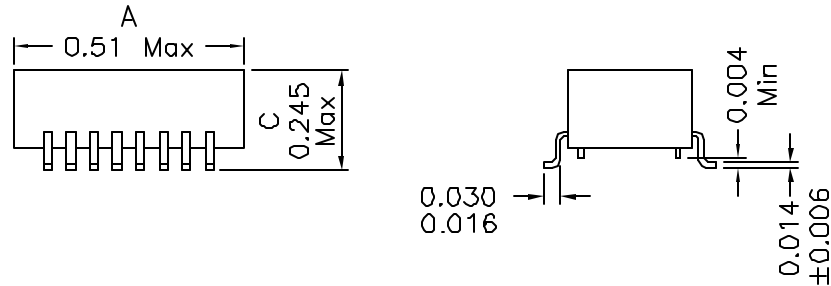
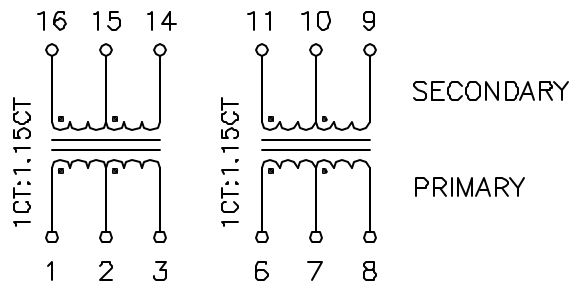


1. Dimensions:



2. Schematic:



3. Electrical Specifications: @25°C

- Isolation Voltage: 1500 Vrms
- Turns Ratio: (16-15-14):(1-2-3) = 1.15CT:1CT ±3%
- Turns Ratio: (11-10-9):(6-7-8) = 1.15CT:1CT ±3%
- PRI OCL: 1.2mH Min. @100KHz 50mV
- PRI Q: 8 Min @10KHz 50mV
- Cw/w: 35pF Maximum @100KHz 50mV (PRI/SEC)
- Leakage Inductance: 0.6uH Maximum @100KHz 50mV
- PRI DC Resistance: 0.70 Ohms Maximum
- SEC DC Resistance: 0.75 Ohms Maximum

Notes:

1. Solderability: Leads shall meet MIL-STD-202G, Method 208H for solderability.
2. Flammability: UL94V-0
3. ASTM oxygen index: > 28%
4. Insulation System: Class F 155°C, UL file E151556
5. Operating Temperature Range: All listed parameters are to be within tolerance from -40°C to +85°C
6. Storage Temperature Range: -55°C to +125°C
7. Aqueous wash compatible
8. SMD Lead Coplanarity: ±0.004°(0.102mm)
9. Electrical and mechanical specifications 100% tested
10. RoHS Compliant Component

XFMR5 Inc	Title: T1/E1 TRANSFORMER		
	UNLESS OTHERWISE SPECIFIED	P/N: XF0013B12	REV. B
	TOLERANCES:	DWN.	Xiany
	.xxx ±0.010	CHK.	YK Liao
Dimensions in Inch	APP.	BW	Jul-30-08
SCALE 2.5:1 SHT 1 OF 1			Jul-30-08

DOC. REV B/4