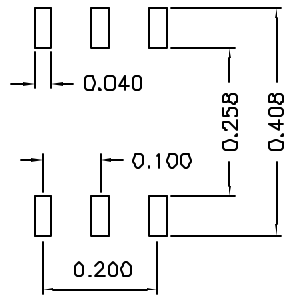
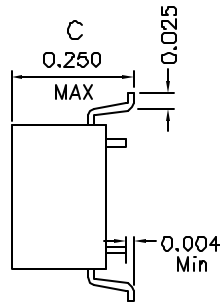
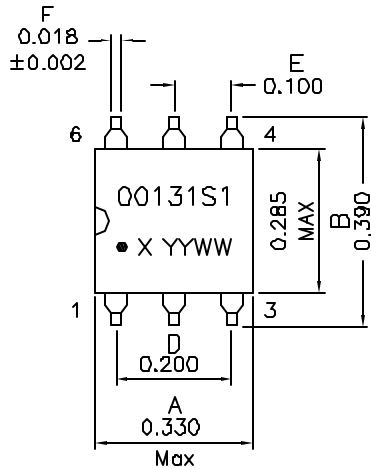


### 1. Mechanical Dimensions:

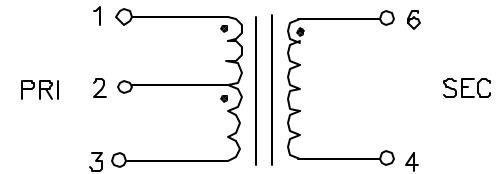


SUGGESTED PCB LAYOUT

**Notes:**

1. Solderability: Leads shall meet MIL-STD-202G, Method 208H for solderability.
2. Flammability: UL94V-0
3. ASTM oxygen Index: > 28%
4. Insulation System: Class F 155°C, UL file E151556
5. Operating Temperature Range: All listed parameters are to be within tolerance from -40°C to +85°C
6. Storage Temperature Range: -55°C to +125°C
7. Aqueous wash compatible
8. SMD Lead Coplanarity: ±0.004" (0.102mm)
9. Electrical and mechanical specifications 100% tested
10. RoHS Compliant Component

### 2. Schematic:



### 3. Electrical Specifications: @25°C

- PRI OCL: 1.2mH Min @100KHz 50mV
- PRI LL: 0.50uH Max @100KHz 50mV, Short SEC
- CW/W: Pins 1-6 25pF Max @100KHz 50mV
- DCR: Pins 1-3 0.70 Ohms Max
- TURNS RATIO: Pins (1-3):(6-4)=1CT:1±5%
- HIPOT: 1500Vrms, Wdg to Wdg
- Q: 5 Min @10KHz 50mV

DOC REV: A/8

<b>XFMRS Inc</b> www.XFMRS.com	Title: T1/CEPT/DS1 MAGNETICS TRANSFORMERS		
	UNLESS OTHERWISE SPECIFIED TOLERANCES: .xxx ±0.010 Dimensions in Inch	P/N: XFO0131S1	REV. A
	DWN.	Feng	Feb-10-11
	CHK.	YK Liao	Feb-10-11
SHT 1 OF 1	APP.	Joe Huff	Feb-10-11