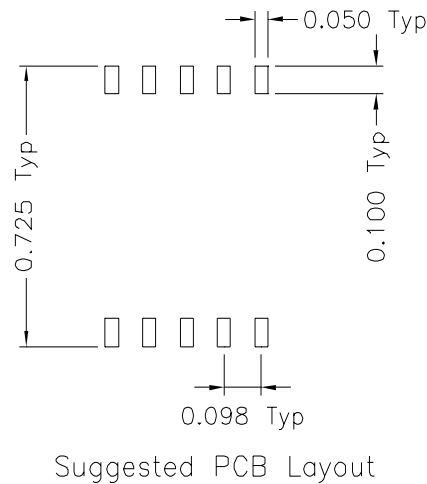
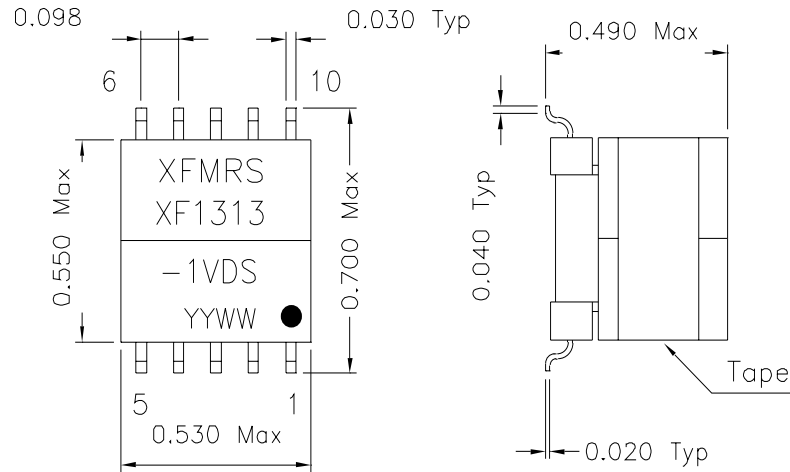
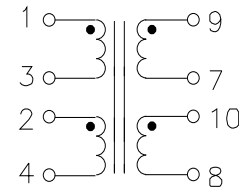


### 1. Dimensions:



### 2.Schematic:



### 3.Electrical Specifications: @25°C

Pin1-4 OCL: 200uH ±10% @10KHz 0.1V  
(Connect Pin2-4)

Pin1-4 LL: 4uH Max @100KHz 100mV  
(Connect Pin2-3, Pin7-10)

Cw/w: Pin1-10 25pF Max. (Connect Pin2-3 & 8-9)

DC Res.: Pins 1-3 0.460 Ohms±15%

DC Res.: Pins 2-4 0.580 Ohms±15%

DC Res.: Pins 10-8, 9-7 0.520 Ohms±15% (each)

Return Loss: 8dB Min. @200KHz

Insertion Loss: ±0.5dB @200KHz-11MHz

Temperature Range: -40°C - +85°C

Isolation Voltage: 3000Vrms 1&2 to 10&9

DOC. REV A/1

<b>XFMRS Inc</b>	Title: VDSL TRANSFORMER		
	UNLESS OTHERWISE SPECIFIED		P/N: XF1313-1VDS
TOLERANCES:		DWN.	REV. A
.xxx ±0.010		CHK.	Dec-13-99
Dimensions in INCH		APP.	Dec-13-99
SHEET 1 OF 1		Joe Huff	Dec-13-99