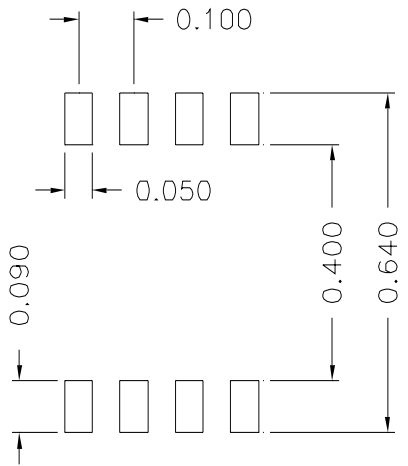
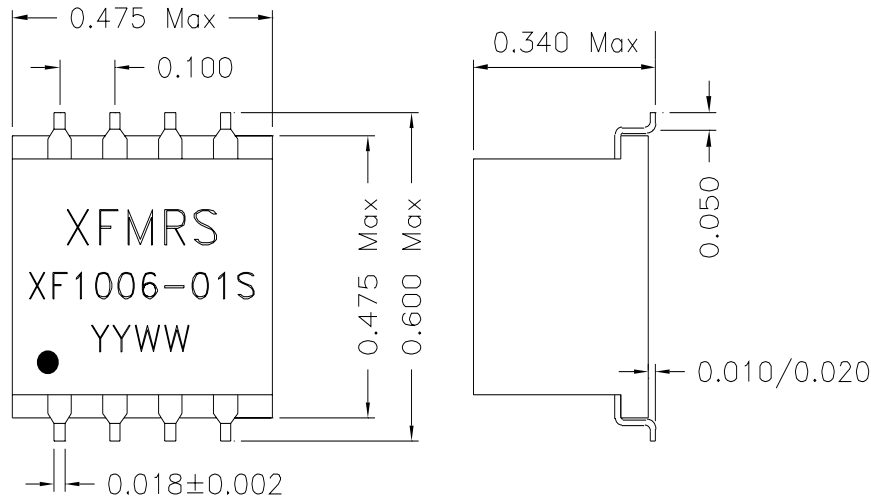
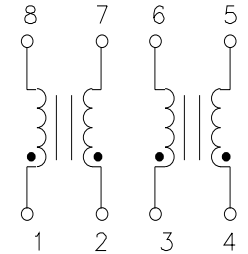


1. Dimensions:



SUGGESTED PAD LAYOUT

2. Schematic:



3. Electrical Specifications: @25°C

NUMBER of LINES: 4
 Isolation Voltage: 500 Vrms
 INDUCTANCE: 100uH Minimum @100KHz 50mV
 DC Resistance: 0.60 Ohms Maximum
 COMMON MODE ATTENUATION: (dB Typ)

1MHz	11dB
10MHz	18dB
50MHz	18dB
100MHz	17dB
300MHz	14dB
500MHz	9dB
1GHz	7dB

DOC. REV: A/1

XFMRS Inc	Title: COMMON MODE CHOKE	
	UNLESS OTHERWISE SPECIFIED	P/N: XF1006-01S
TOLERANCES: .xxx ±0.010	DWN.	廖玉坤
Dimensions in Inch	CHK.	李清儿
SCALE 3:1 SHT 1 OF 1	APP.	Joe Huff
		REV. A
		Sep-23-99
		Sep-23-99
		Sep-23-99