

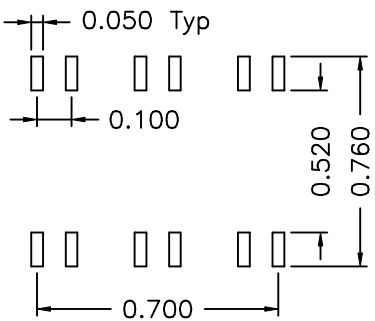
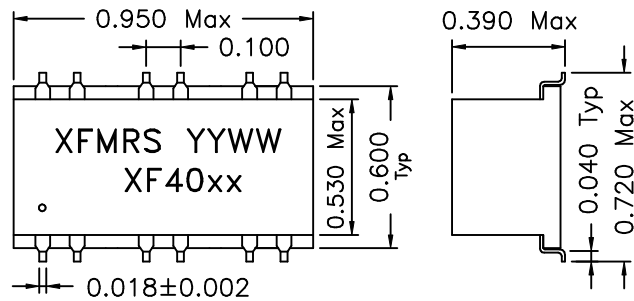
## VDSL FILTER MAGNETIC MODULES

- \* SET OF FILTER MODULES AND HYBRID TRANSFORMERS FOR VDSL
- \* DESIGNED FOR LONG HAUL AND SHORT HAUL SOLUTIONS
- \* MATCHED TO INFINEON TECHNOLOGIES VDSL SOLUTION
- \* FSAN VDSL FREQUENCY BAND: 900KHZ TO 8MHZ
- \* ISOLATION VOLTAGE: 1500VRMS
- \* OPERATING TEMPERATURE: -40°C TO +85°C
- \* CUSTOM VARIATIONS OF COMMON MODE CHOKES ARE AVAILABLE

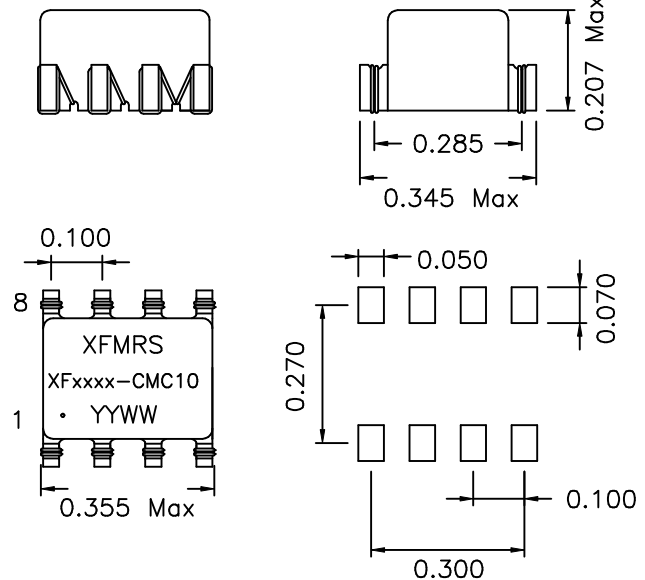
Part Number	Description	Passband Frequency	Insertion Loss (Max)	Return Loss (Min)	Stopband Frequency	Attenuation (Min)	Impedance		Schematic
							TX	RX	
XF4010*	ISDN Splitter LPF	20–120KHz	0.4dB	20dB	800KHz–7.9MHz	65dB	150	150	A
XF4014	Bandpass Filter & Hybrid Xfmr	900KHz–9MHz	0.5dB	10dB	20–150KHz	60dB	40	270	B
XF4015	Receive HPF	4.5–7.9MHz	0.8dB	12dB	900KHz–3MHz	50dB	--	270	A
XF4016	Receive LPF	900KHz–3MHz	1.2dB	12dB	4.5–7.9MHz	50dB	--	270	A
XF4017	Transmit LPF	900KHz–3MHz	0.8dB	10dB	4.5–7.9MHz	15dB	40	--	A
XF4018	Transmit HPF	4.5–7.9MHz	0.8dB	10dB	900KHz–3MHz	10dB	40	--	A
XF0246–CMC10	Common Mode Choke	(24uH Min)	--	--	--	--	--	--	C
XF0406–CMC10	Common Mode Choke	(40uH Min)	--	--	--	--	--	--	D
XF4031	Splitter LPF	10–600KHz 600–630KHz	0.8dB 1.5dB	12dB 10dB	900KHz–1MHz 1.0MHz–1.2MHz 1.2MHz–10MHz	20dB 40dB 65dB	150	150	E
XF4032	Bandpass Filter and Hybrid Transformer	1–7.9MHz 950KHz–1MHz	0.8dB 1.5dB	10dB 8dB	10–100KHz 100–500KHz 600–700KHz 20–40MHz	70dB 55dB 15dB 15dB	40 40 40 40	270 270 270 270	F

\*XF4010 is designed to accommodate a loop current of 100mAdc

### Mechanical Dimensions:



SUGGESTED PCB LAYOUT

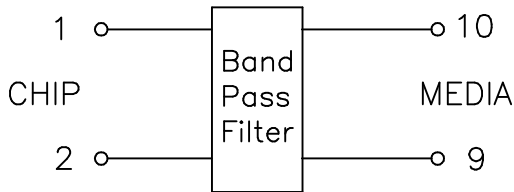


SUGGESTED PAD LAYOUT

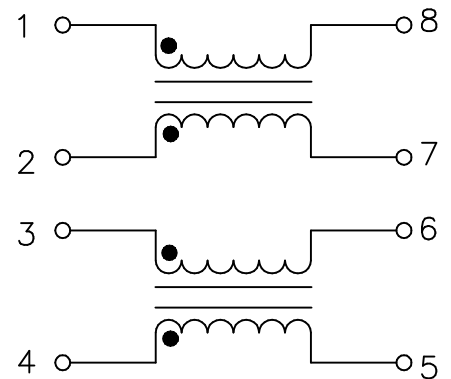
## VDSL FILTER MAGNETIC MODULES

### Schematics:

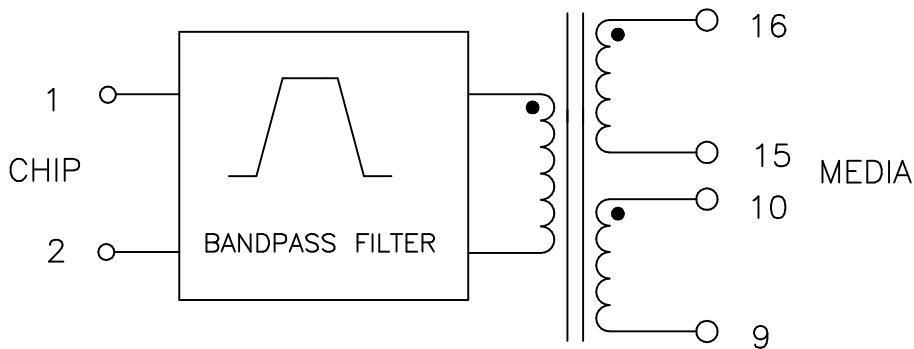
**A**



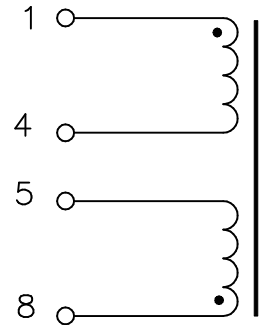
**C**



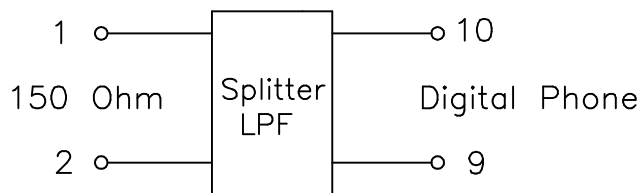
**B**



**D**



**E**



**F**

