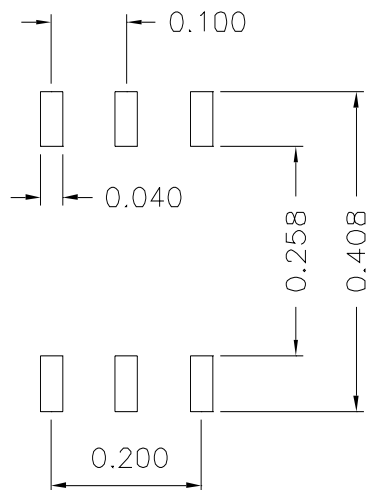
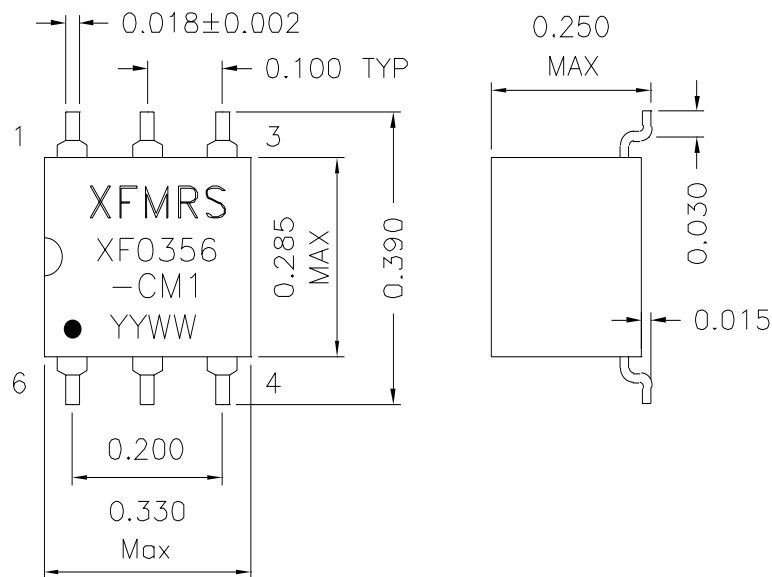
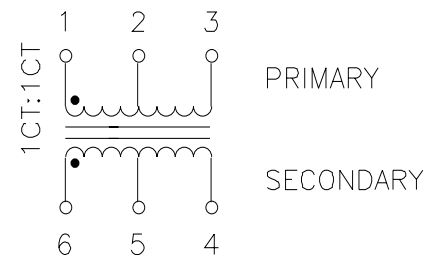


1. Dimensions:



SUGGESTED PCB LAYOUT

2. Schematic:



3. Electrical Specifications: @25°C

ISOLATION: 1500VAC

URNS RATIO: (PIN6-5-4):(PIN1-2-3)=1CT:1CT ±2%

PIN1-3 OCL: 35uH Minimum @100KHz 50mV

Bandwidth: 0.150-210MHz 3dB Typ.

0.200-150MHz 2dB Typ.

0.350-90MHz 1dB Typ.

Insertion Loss: 0.54dB Typ. @Midband

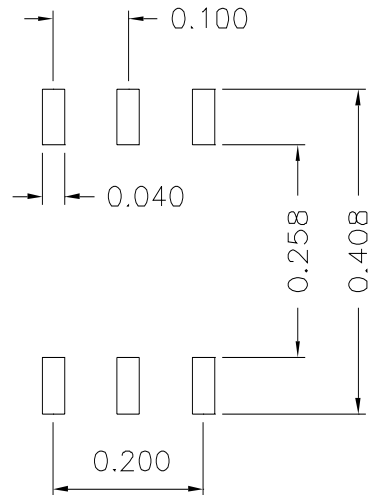
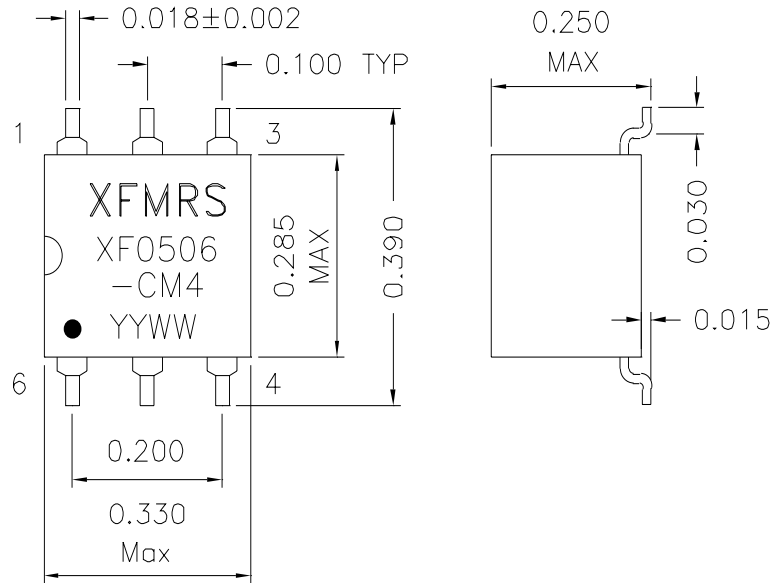
Return Loss: 20dB Min @5-65MHz

Note: Impedance: 75 Ohms

DCO. REV. A/1

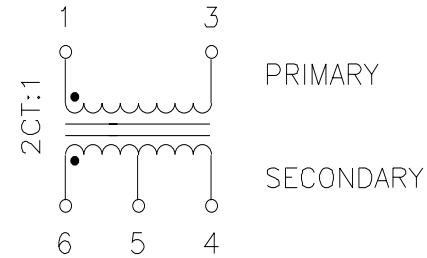
XFMRS Inc	Title: TRANSFORMERS		
	UNLESS OTHERWISE SPECIFIED	P/N: XF0356-CM1	REV. A
TOLERANCES: .xxx ±0.010	DWN.	廖玉坤	Mar-15-00
Dimensions in INCH	CHK.	李清儿	Mar-15-00
SHEET 1 OF 1	APP.	Joe Huff	Mar-15-00

1. Dimensions:



SUGGESTED PCB LAYOUT

2. Schematic:



3. Electrical Specifications: @25°C

ISOLATION: 1500VAC

TURNS RATIO: (PIN6-5-4):(PIN1-3)=2CT:1±2%

PIN1-3 OCL: 50uH Minimum @100KHz 50mV

Bandwidth: 0.100-500MHz 3dB Typ.

0.150-390MHz 2dB Typ.

0.300-220MHz 1dB Typ.

Insertion Loss: 0.45dB Typ. @Midband

Return Loss: 20dB Min @5-65MHz

Note: Impedance: 75 Ohms

DOC. REV. A/2

<h2 style="margin: 0;">XFMRS Inc</h2> <p style="margin: 0; font-size: small;">UNLESS OTHERWISE SPECIFIED TOLERANCES: .xxx ±0.010 Dimensions in INCH</p>	Title: TRANSFORMERS		
	P/N: XF0506-CM4 REV. A		
	DWN.	康玉坤	Mar-15-00
	CHK.	李清儿	Mar-15-00
SHEET 1 OF 1	APP.	Joe Huff	Mar-15-00