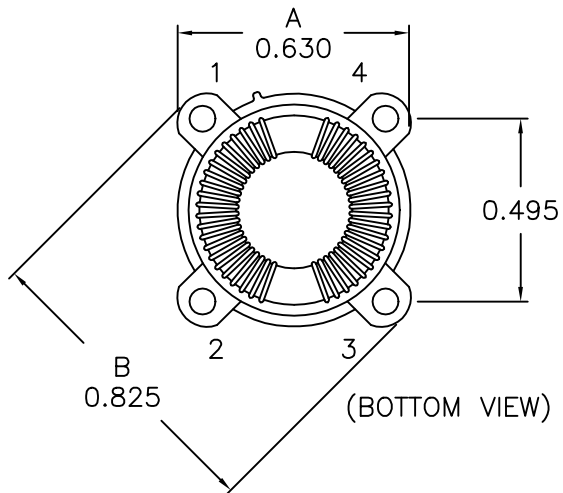
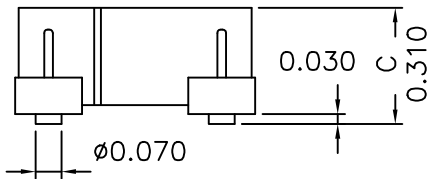
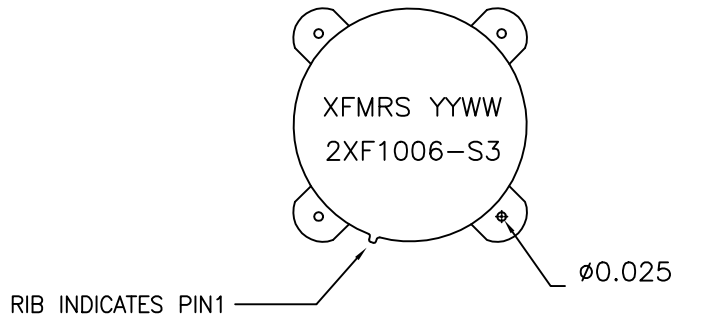
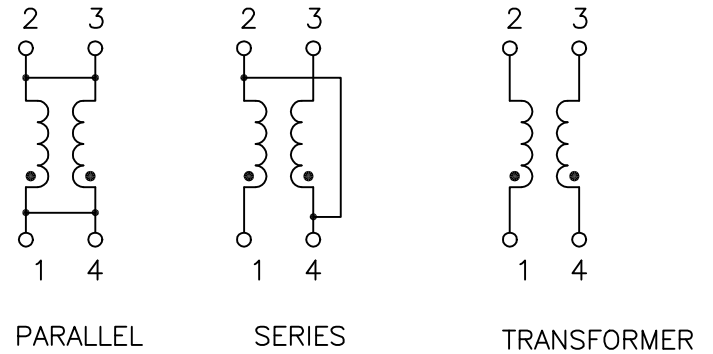


### 1. Dimensions:



### 2. Schematic:



### 3. Electrical Specifications: @25°C

	PARALLEL	SERIES	
OCL(NO DC):	100uH TYPICAL	400uH TYPICAL	10KHz,1.0V
MAX DC I:	0.67ADC	0.335ADC	
DC RES:	0.375 OHMS MAX	1.50 OHMS MAX	
Isolation:	500 Vrms		

**Note:**

- Solderability: Leads shall meet MIL-STD-202, Method 208D for solderability.
- Flammability: UL94V-0,
- ASTM oxygen index: > 28% ,
- Temperature rating: 155°C. UL file E151556,
- Operating Temperature Range: -40°C to +85°C

<b>XFMRS Inc.</b>	Title: DUAL SURFACE MOUNT INDUCTOR		
	UNLESS OTHERWISE SPECIFIED		P/N: 2XF1006-S3
	TOLERANCES: .xxx ±0.010		REV. A
	Dimensions in Inch		
	DWN.	廖玉坤	Jan-09-01
	CHK.	李清儿	Jan-09-01
	APP.	Joe Huff	Jan-10-01
SCALE 2:1 SHT 1 OF 1			

DOC. REV A/4