

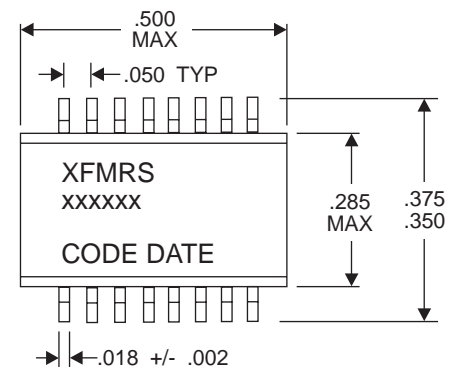
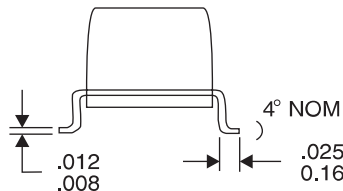
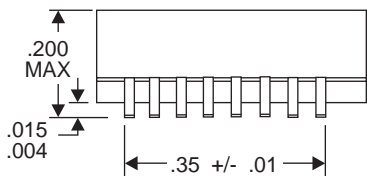
HIGH SPEED SMT MAGNETIC MODULES FOR 10/100BASE-TX APPLICATIONS

- MEETS OPEN CIRCUIT INDUCTANCE (OCL) SPECIFICATIONS OF 350uH MIN WITH 8mA DC BIAS FROM 0-70°C
- DESIGNS AVAILABLE FOR ALL 10/100BASE-TX PHY CHIPS
- CUSTOM DESIGNS AVAILABLE INCLUDING THROUGH HOLE AND COMBOS
- TURNS RATIOS: 1CT:1CT (Tx) / 1CT:1CT (Rx)

Electrical Specifications:

Part Number	Insertion Loss 0.1 to 125 MHz (dB MAX)	Rise Time (ns TYP) (10-90%)	Return Loss (dB TYP)		Differential to Common Mode Rejection (dB MIN)		Crosstalk (dB MAX)		Voltage Isolation (Vrms min)
			0.1-60 MHz	60-100 MHz	0.1-60 MHz	60-100 MHz	0.1-60 MHz	60-100 MHz	
XFATM2B	-1.1	4.0ns	-15 TX / -17 RX	-11 TX / -14 RX	-42 TX / -40 RX	-40 TX / -35 RX	-40	-38	1500
XFATM3B	-1.1	4.0ns	-15 TX / -17 RX	-11 TX / -14 RX	-42 TX / -40 RX	-40 TX / -35 RX	-40	-38	1500
XFATM6B	-1.1	4.0ns	-15 TX / -17 RX	-11 TX / -14 RX	-42 TX / -40 RX	-40 TX / -35 RX	-40	-38	1500
XFATM7B	-1.1	4.0ns	-15 TX / -17 RX	-11 TX / -14 RX	-42 TX / -40 RX	-40 TX / -35 RX	-40	-38	1500
XFATM8B	-1.1	4.0ns	-15 TX / -17 RX	-11 TX / -14 RX	-42 TX / -40 RX	-40 TX / -35 RX	-40	-38	1500

Dimensions:



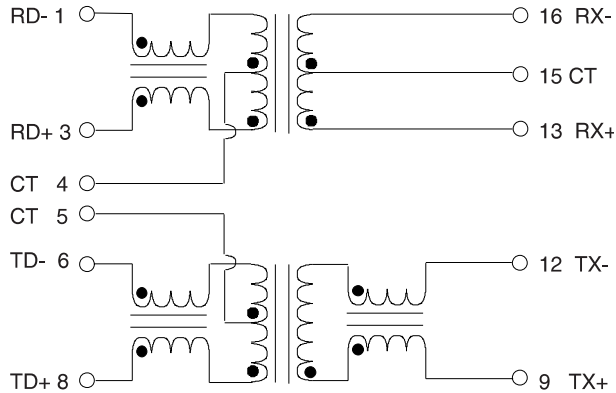
Schematics:

SEE FOLLOWING PAGE

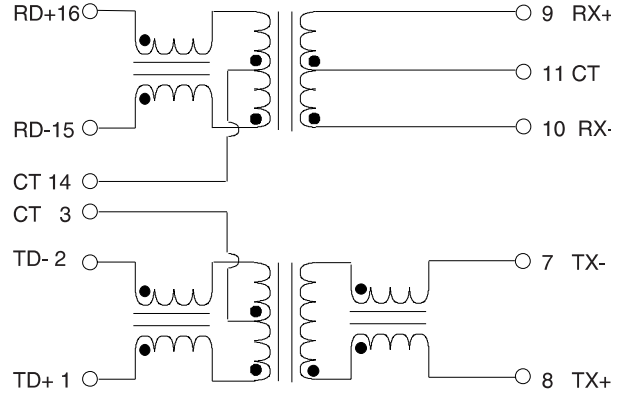
100 BASE-TX FILTER MODULES

Schematics:

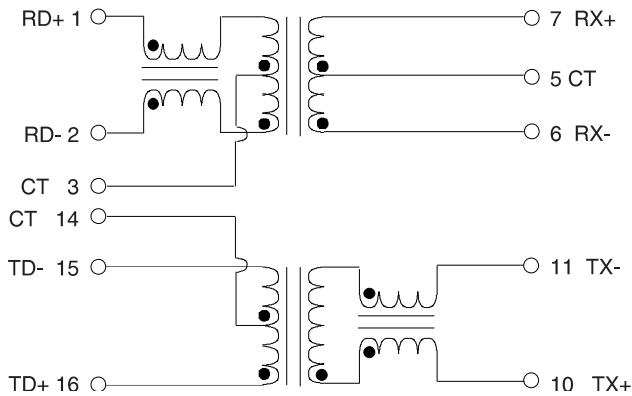
XFATM2B



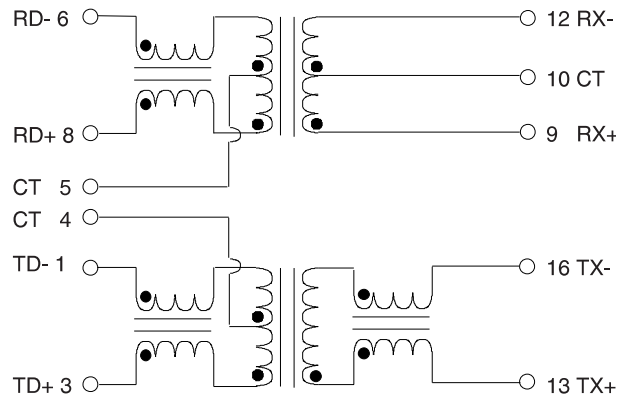
XFATM3B



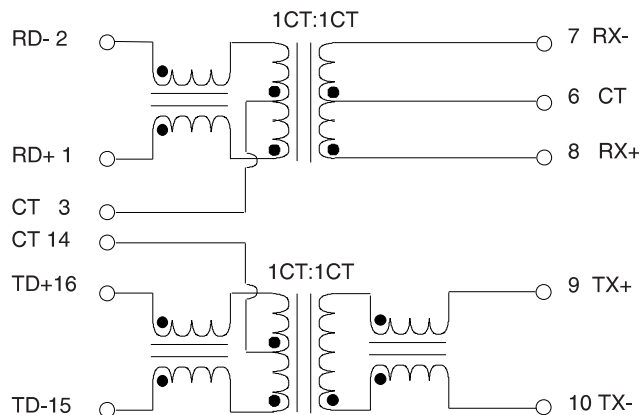
XFATM6B



XFATM7B



XFATM8B



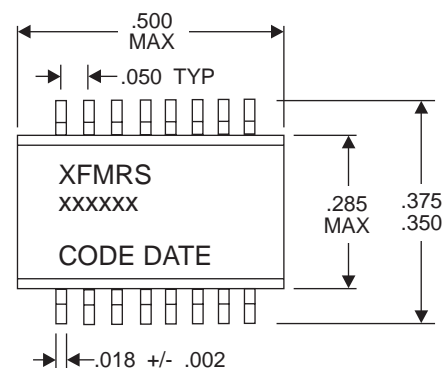
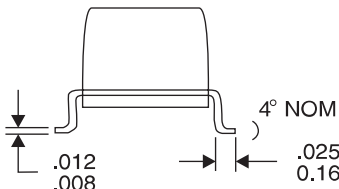
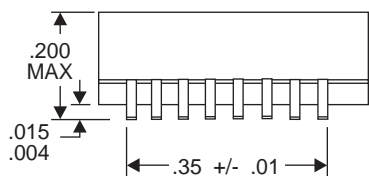
HIGH SPEED SMT MAGNETIC MODULES FOR 10/100BASE-TX APPLICATIONS

- MEETS OPEN CIRCUIT INDUCTANCE (OCL) SPECIFICATIONS OF 350uH MIN WITH 8mA DC BIAS FROM 0-70°C
- DESIGNS AVAILABLE FOR ALL 10/100BASE-TX PHY CHIPS
- CUSTOM DESIGNS AVAILABLE INCLUDING THROUGH HOLE AND COMBOS

Electrical Specifications:

Part Number	Turns Ratio (+/-5%)		Insertion Loss 100KHz-100MHz (dB TYP)	Return Loss (dB TYP)			Crosstalk (dB MAX)			Hipot (Vrms MIN)
	Receive	Transmit		30 MHz	60 MHz	80 MHz	32 MHz	62 MHz	100 MHz	
XF6611TXB	1CT:1CT	1.25CT:1CT	-1.0	-16	-12	-10	-40	-35	-35	1500
XF6611TX1B	1CT:1CT	1.25CT:1CT	-1.0	-16	-12	-10	-40	-35	-35	1500
XF6611TX2B	1CT:1CT	1.25CT:1CT	-1.0	-16	-12	-10	-40	-35	-35	1500
XF6612TXB	1CT:1CT	1.41CT:1CT	-1.0	-16	-12	-10	-40	-35	-35	1500
XF6612TX1B	1CT:1CT	1.41CT:1CT	-1.0	-16	-12	-10	-40	-35	-35	1500
XF6612TX2B	1CT:1CT	1.41CT:1CT	-1.0	-16	-12	-10	-40	-35	-35	1500
XF6692TXB	1:1:1	2CT:1	-1.0	-15	-15	-15	-40	-40	-40	1500
XF6692TX1B	1:1:1	2CT:1	-1.0	-15	-15	-15	-40	-40	-40	1500
XF6694TXB	1:1:1CT	2CT:1CT	-1.0	-15	-15	-15	-40	-40	-40	1500
XF6694TX2B	1:1	1:2CT	-1.0	-15	-15	-15	-40	-40	-40	1500

Dimensions:



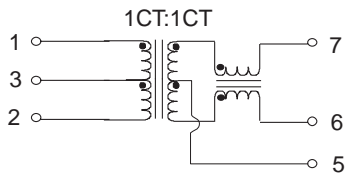
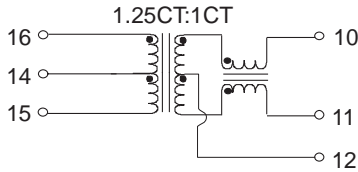
Schematics:

SEE FOLLOWING PAGE

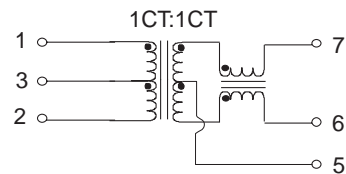
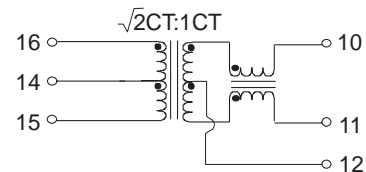
HIGH SPEED SMT MAGNETIC MODULES FOR 10/100BASE-TX APPLICATIONS

Schematics:

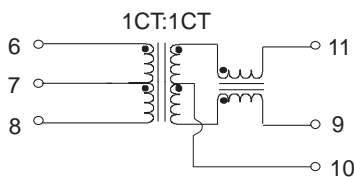
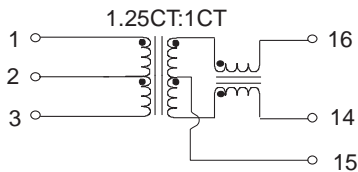
XF6611TXB



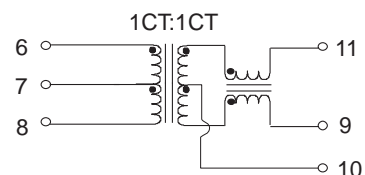
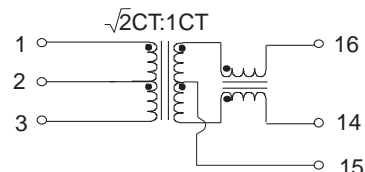
XF6612TXB



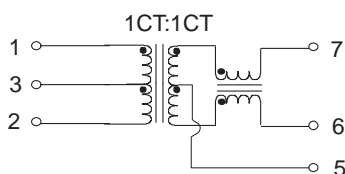
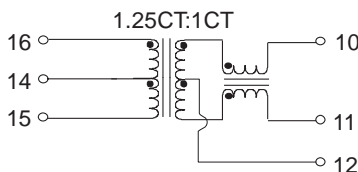
XF6611TX1B



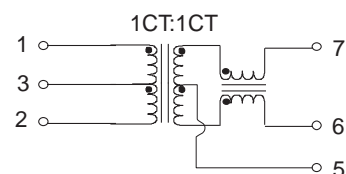
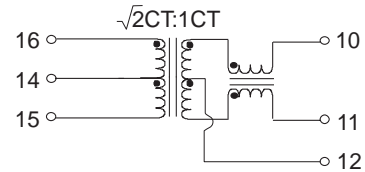
XF6612TX1B



XF6611TX2B



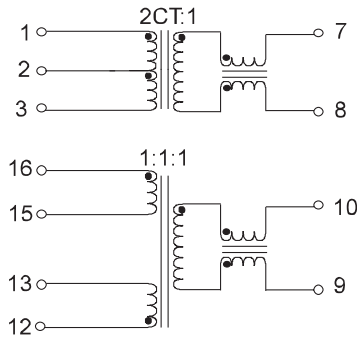
XF6612TX2B



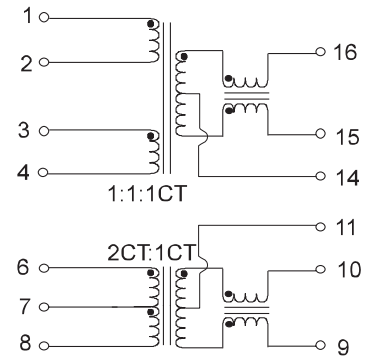
HIGH SPEED SMT MAGNETIC MODULES FOR 10/100BASE-TX APPLICATIONS

Schematics:

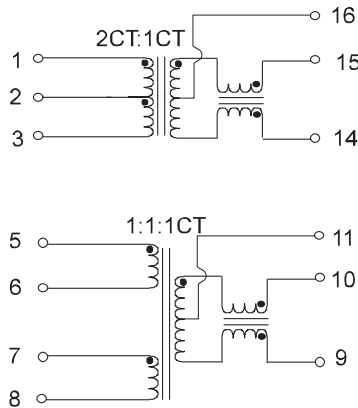
XF6692TXB



XF6694TXB



XF6692TX1B



XF6694TX2B

