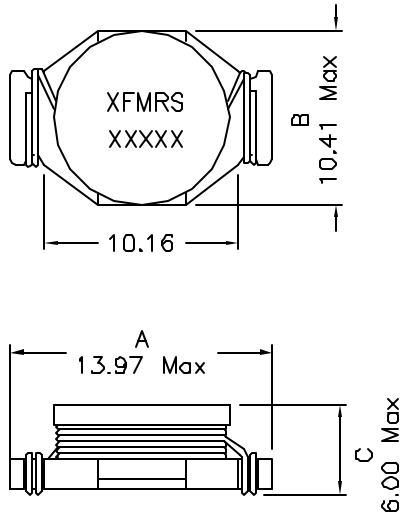
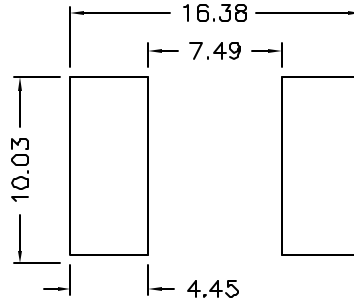
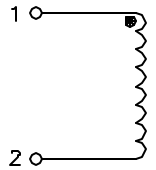


1XFxxxxxS1M SERIES INDUCTORS

Mechanical Dimensions:



Schematic:



PCB LAYOUT

UNLESS OTHERWISE SPECIFIED
 TOLERANCES:
 .xx ±0.25
 Dimensions in MM

Part Number	INDUCTANCE uH (RATED)	OCL ⁽¹⁾ uH±20%	I rms ⁽²⁾ Amperes	I SAT ⁽³⁾ Amperes	DCR ⁽⁴⁾ Ohms Typ	Marking
1XF00047S1M	0.47	0.595	10.6	11.4	0.0049	00047
1XF00100S1M	1.0	1.00	9.3	9.9	0.0065	00100
1XF00150S1M	1.5	1.46	8.3	7.9	0.0081	00150
1XF00220S1M	2.2	2.39	7.2	6.1	0.0107	00220
1XF00330S1M	3.3	3.23	6.5	5.1	0.0128	00330
1XF00470S1M	4.7	4.77	5.5	4.2	0.0165	00470
1XF00680S1M	6.8	6.63	5.0	3.6	0.0202	00680
1XF01000S1M	10.0	9.73	4.3	3.3	0.0267	01000
1XF01500S1M	15.0	15.43	3.5	2.4	0.0410	01500
1XF02200S1M	22.0	22.50	2.8	2.0	0.0617	02200
1XF03300S1M	33.0	33.13	2.1	1.7	0.0917	03300
1XF04700S1M	47.0	48.65	1.7	1.4	0.1388	04700
1XF06800S1M	68.0	68.17	1.5	1.2	0.1787	06800
1XF10000S1M	100.0	102.60	1.2	0.95	0.2707	10000

- (1) Open Circuit Inductance Test Parameter @100KHz 0.250Vrms 0.0Adc
- (2) RMS Current for an Approximate ΔT of 40°C, at an Ambient Temperature of 85°C
- (3) Peak Current For Approximate 10% Rolloff
- (4) DCR limits 20°C.
- (5) Tape & Reel Packaging Standard, 650 Pcs per 13"Reel

Notes:

- 1. Solderability: Leads shall meet MIL-STD-202D, Method 208B for solderability.
- 2. Flammability: UL94V-0
- 3. ASTM oxygen index: > 28%
- 4. Insulation System: Class F 155°C. UL file E151556
- 5. Operating Temperature Range: All listed parameters are to be within tolerance from -40°C to +85°C
- 6. Storage Temperature Range: -55°C to +125°C
- 7. Aqueous wash compatible
- 8. SMD Lead Coplanarity: ±0.004" (0.102mm)
- 9. Electrical and mechanical specifications 100% tested
- 10. RoHS Compliant Component