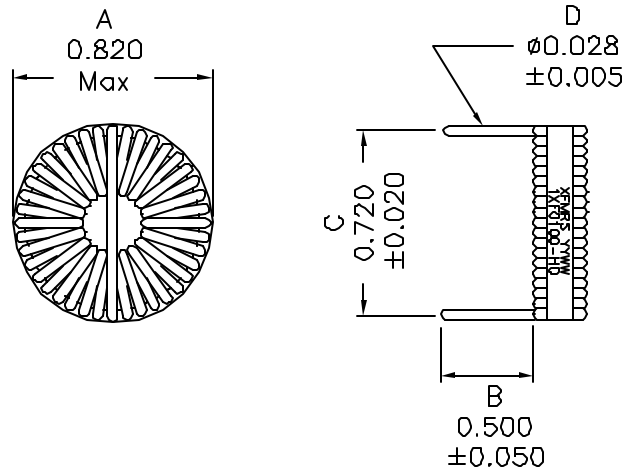
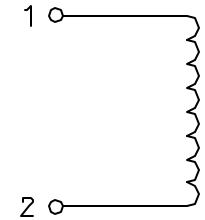


### 1. Mechanical Dimensions:



### 2. Schematic:



### 3. Electrical Specifications:

Inductance: 100uH±10% @10KHz,0.1V

CURRENT RATING: 2.0ADC

DC Resistance: 0.070 Ohms Max.

**Notes:**

1. Solderability: Leads shall meet MIL-STD-202G, Method 208H for solderability.
2. Flammability: UL94V-0
3. ASTM oxygen Index: > 28%
4. Insulation System: Class F 155°C. UL file E151556
5. Operating Temperature Range: All listed parameters are to be within tolerance from -40°C to +85°C
6. Storage Temperature Range: -55°C to +125°C
7. Aqueous wash compatible
8. Electrical and mechanical specifications 100% tested
9. RoHS Compliant Component

Doc Rev: A/4

<b>XFMRs Inc.</b> <a href="http://www.XFMRS.com">www.XFMRS.com</a>	Title: Inductor		
	UNLESS OTHERWISE SPECIFIED TOLERANCES: .xxx ±0.010 Dimensions in Inch	P/N: 1XF0100-HO	REV. A
SHEET 1 OF 1	DWN.	Juan Mao	Nov-09-06
	CHK.	YK Liao	Nov-09-06
	APP.	Joe Huff	Nov-09-06