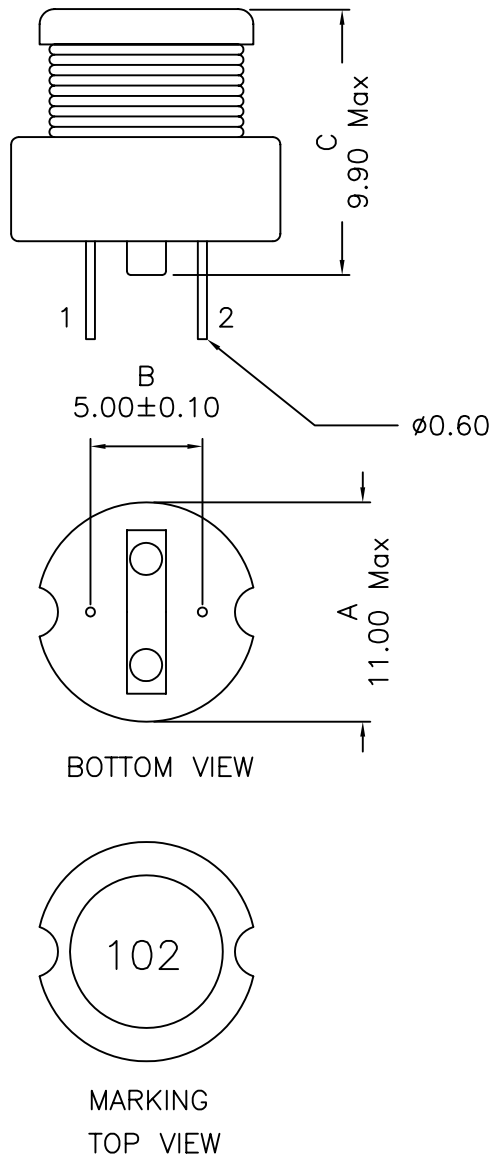
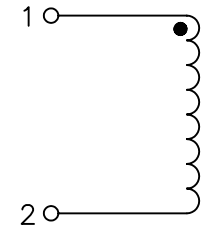


### 1. Dimensions:



### 2. Schematic:



### 3. Electrical Specs:

OCL:  $1000\mu\text{H} \pm 10\%$  @100KHz 0.25V, 0Adc  
 OCL:  $1000\mu\text{H} \pm 20\%$  @100KHz 0.25V, 0.300Adc  
 DC Res.:  $2.70 \pm 10\%$  Ohms

Notes:

- Solderability: Leads shall meet MIL-STD-202, Method 208D for solderability.
- Flammability: UL94V-0
- ASTM oxygen index: > 28%
- Temperature rating: 155°C. UL file E151556
- Operating Temp: -40°C to +85°C
- Storage Temp: -55°C to +125°C

<b>XFMRs Inc</b>	Title: Inductor		
	UNLESS OTHERWISE SPECIFIED TOLERANCES: .xx $\pm 0.25$ Dimensions in MM	P/N: 1XF00102T1M	REV A
	DWN.	罗振江	Sep-09-03
	CHK.	廖玉坤	Sep-09-03
Scale 2.5:1 SHT 1 OF 1	APP.	Isaiah M	Sep-09-03

DOC REV: A/2